

HC899



### **i** DESCRIPTION

- Analogue electromagnetic constant flow rate dosing pump
- PBT case for high mechanical resistance-eco-friendly-ergonomic low flammability
- Removable connections for easy maintenance of the pump.
- Level probe input
- Double pulse regulation scale 0-100% or 0-20%
- Power supply: 220VAC – 50/60Hz.
- On-Off switch
- IP65 protection
- Analogical interface by knob and a LED bicoloured
- Manual priming valve
- Wall or foot mounting (brackets included in the kit)

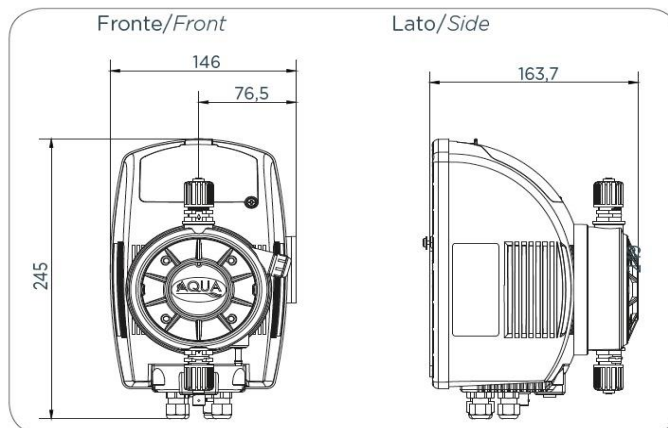
### **STANDARDS**

- no. 2004/108/CE EMC directive
- no. 2006/95/CE “DBT Low Voltage Directive”
- no. 2011/65/UE, 2002/96/CE “RoHs and WEEE directives”

### **TECHNICAL FEATURES**

HC899	Standard Version	Upon Request
Pump head	PP	PVDF
Pump body	PBT	-
Diaphragm	PTFE	-
Balls	PYREX	PTFE
Body Valve	PP	PVDF
O-rings	Viton®	Dutral®
Spring loaded injection valve	Hastelloy/PYREX	Hastelloy - PTFE
Injection fitting	PP	PVDF
Suction & air bleed tube	PVC	-
Delivery tube	PP	PTFE
Foot valve	PP	-
Power supply	230v	

### **DIMENSIONS**



a x b x c: 295 x 160 x 350 mm: Kg:5.50

Code	Model	Flow rate l/h	Pressure bar	No. of strokes spm	Injection volume ml/stroke	Voltage volt	Consumption watt	Hydraulic Connection mm	Pump Head	Price	B
AD9800300000	PDE HC899-3	20	5	150	2.22	230	35	4x6/ 6x8	PVDF 1/2"	£334.80	
		25	3		2.77						
		35	1		3.88						

Other flow rates and pressures are available please contact us for further information



## INSTALLATION KIT

Code	Description	Price	
ADSP6000370	PE delivery tube 6x8mm 2m length	£1.33	C
ADSP6000546	PVC suction/bleed hose 4x6mm 2m length	£2.04	C
ADSP6000001	Footvalve strainer PP-VT 4x6	£12.13	C
ADSP6200018	Injection valve ball ½" PP-VT 6x8	£20.67	C
ADSP6020221	Wall fixing bracket	£5.47	C
ADSP6000041	Anchors & screws	£0.52	C
ADBAS100	Foot/tank mounting bracket	£16.55	B



## ACCESSORIES & SPARE PARTS

Code	Description	Price	B
ADSLG	Level probe 2mt cable with foot filter bracket and hirshmann connector	£34.19	



Code	Description	overall length mm	Adjustable Length mm	Connections	Tank Size litres	Connector	Price	B
ADLASM20B0	Low level suction lance	490	120-390	4x6mm	30	HM	£102.47	
ADLASM10B0	Low level suction lance	700	120-600	4x6mm	50-100	HM	£103.95	
ADLASM30B0	Low level suction lance	940	120-840	4x6mm	200-300 L	HM	£109.23	



Code	Description	Flow rate lt/h	Pressure bar	Connection	Price	C
ADSP6000C17	Pump head HC-899-999 PP-GL-VT	20	5		£72.08	
ADSP6000C10	Pump head HC - 899-999 PVDF-PTFE-VT	20	5		£119.25	



Code	Description	Price	C
ADSPHC899SP	HC 899/999 PP Wet end spares kit	£37.13	
ADSP9005001	Suction Valve	£11.78	
ADSP9005000	Delivery valve	£11.78	
ADSP6000891	Diaphragm	£14.08	
ADSP5007214	Diaphragm O ring	£1.89	



Code	Description	Price
TANKMOUNT	When a pump, tank, and bracket are ordered we can pre-drill the tank for ease of installation. This includes fixings mounted into the tank at no extra cost	FOC



Code	Model	Size (Øxh) mm	Volume (l)	Price	
ADTANK0025	PE tank (Rectangular)	340x250x355h	25	£68.50	B
ADTANK006	PE tank	425x500	50	£102.91	A
ADTANK010	PE tank	500x680	100	£137.19	A
ADTANK020	PE tank	655x795	200	£165.27	A
ADTANK030	PE tank	655x1030	300	£274.38	A



TANKS

Code	Model	Size (Øxh) mm	Volume (l)	Price	
ADVSIC0025	PE Bund	425x300	25	£43.14	B
ADVSIC0025R	PE Bund	560x455x185h	25	£65.85	B
ADVSIC005	PE Bund	680x290	50	£99.78	A
ADVSIC010	PE Bund	810x350	100	£121.62	A
ADVSIC020	PE Bund	975x400	200	£149.67	A
ADVSIC030	PE Bund	940x630	300	£190.21	A



BUNDS

Code	Model	Price	B
PVCHOSE4/6	30 metre coil 4x6mm PVC hose	£19.25	
PEHOSE6/8	30 metre coil 6x8mm MDPE hose	£37.42	



PE HOSE

PVC HOSE